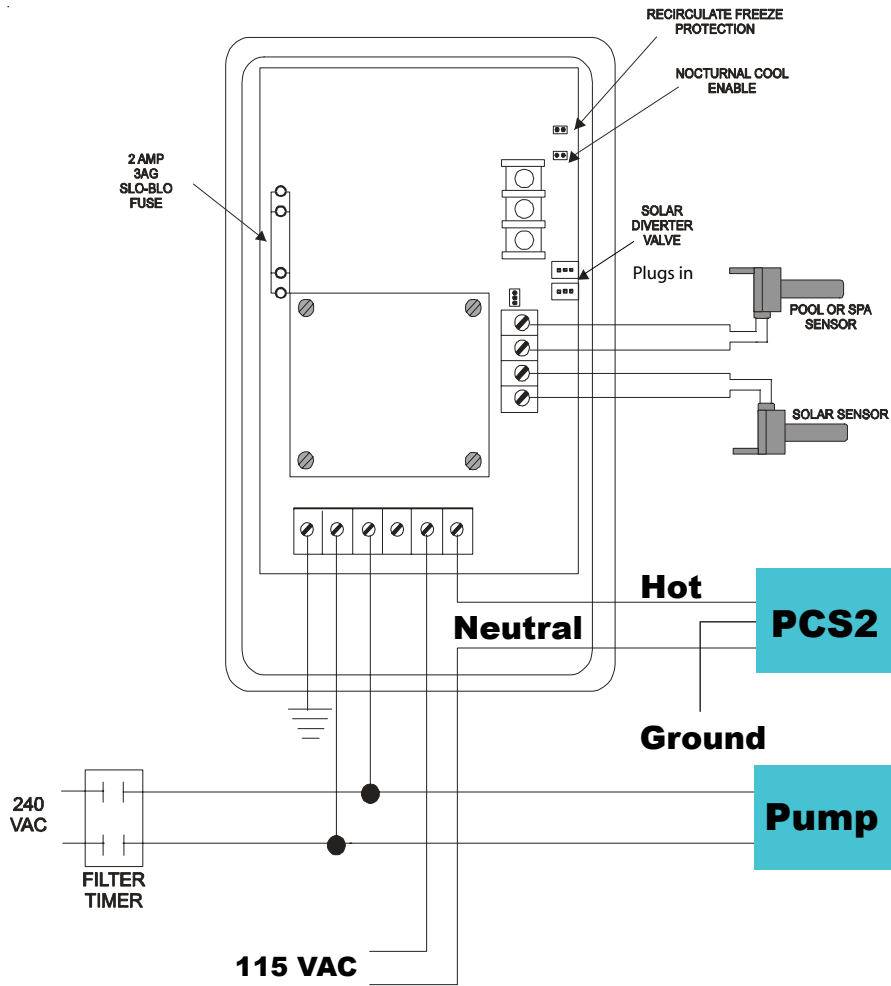


Solar Operation Slaved To Timer



GL-235 with high voltage output used for SolarAttic PCS2

Notes:

1. Power from GI-235 terminated in attic outlet.
2. PCS2 plugs into GL-235 switched power outlet.
3. Solar system allowed to run during set timer period.
4. Timer power supplied to pump and solar system.
5. PCS2 power supplied in a separate circuit or from timer.
6. Some timer circuits can handle the 6 amps full load of PCS2.
7. Follow all local electrical codes.
8. Obtain services of licensed electrical contractor if needed.